

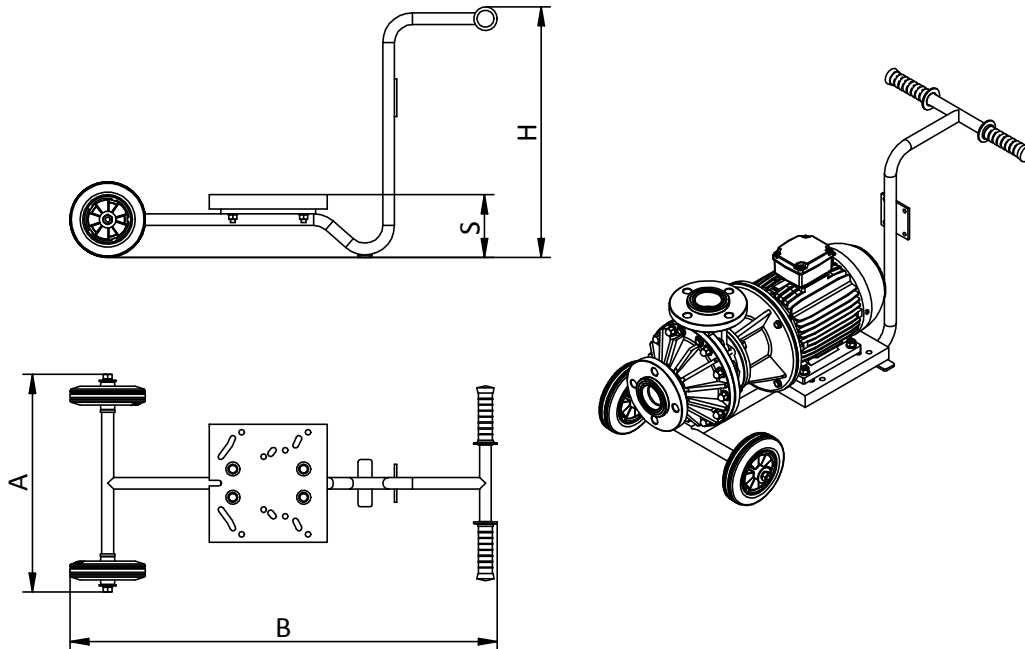






OMA - PA

Carrello pompa - Pump trolley



Pump type	Motor kW	Poles	IEC Frame	A	B	S	H
OMA20 – PA20	0.37	2	71				
OMA30 – PA30	0.55	2	71				
	0.75	2	80				
	1.1	2	80				
	1.5	2	90S				
OMA40 – PA40	0.37	4	71				
	1.5	2	90S	460	905	132	530
	2.2	2	90L				
	3	2	100L				
5.5	2	132S					
OMA50	1.1	4	90S				
	2.2	2	90L				
	3	2	100L				
	4	2	112M				
	5.5	2	132S				

Materiali

Telaio: Acciaio verniciato a polvere – Frame: powder coated steel

Base d'appoggio motore: PVC – Motor base plate: PVC

Ruote: Gomma e PP (alto comfort di guida, scorrimento silenzioso, non danneggia il pavimento) – Wheels: rubber and PP (high operational comfort, low-noise operation, good floor preservation)

Bulloneria: A2 – Bolts and nut: A2

